

NexGen Liquefiers & Recovery Systems

Automated 160 and 250 Liter Capacity Helium Liquefiers

Quantum Design's NexGen Liquefiers and innovative Helium Recovery, Storage & Purification Systems allow you to recover the helium gas currently being lost from the normal boil off and helium transfers of your **MRI** and other cryogenic instruments.

NexGen Liquefiers Provide:

- Easy-to-Use, Fully Automated Operation
- Portable Liquefiers for Easy Transfers
- High Liquefaction Rates at 1 PSIG, so Helium is Ready When You Need It
- Self-Cleaning, Uninterrupted Service
- Software with Intuitive User Interface for Easier Operation
- New 250 Liter Capacity for Larger Transfers
- Modular Design: Your System Can Grow as Your Helium Needs Evolve

NexGen 160

Dewar Capacity: 160 liters

Liquefaction Rate: 25+ liters/day (typical)*

NexGen 250

Dewar Capacity: 250 liters

Liquefaction Rate: 25+ liters/day (typical)*

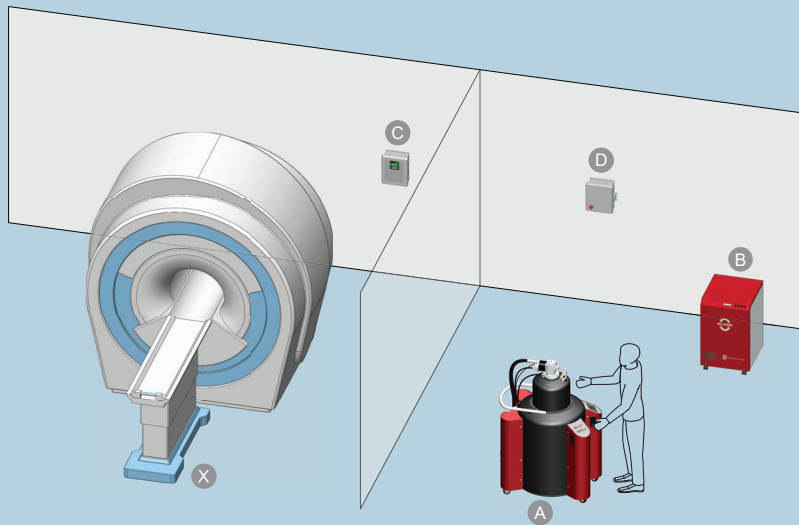
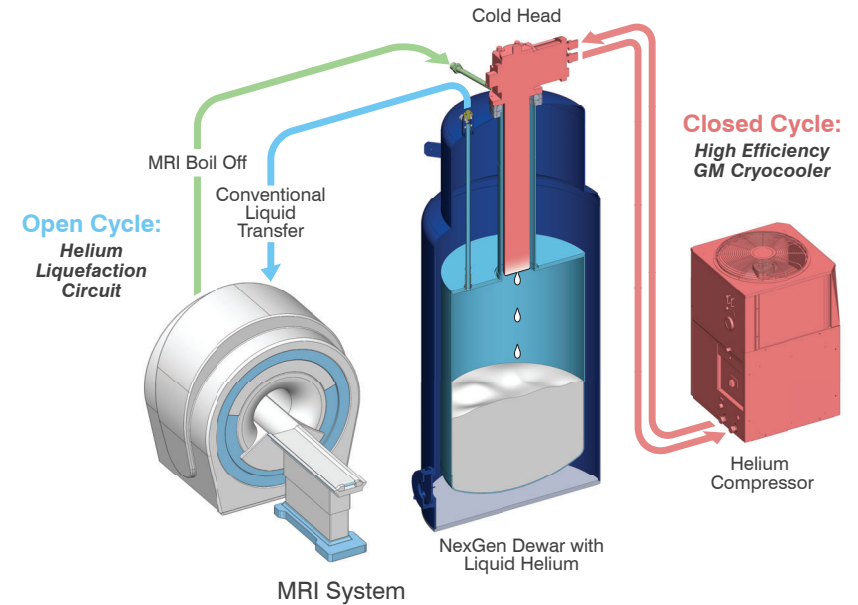


NexGen 160

*Liquefaction rates vary based on input helium quality and pressure

Direct Recovery - MRI

- An MRI consumes liquid helium at a low rate, but reliability of helium supply is crucial for preventing magnet quenches
- Serious space limitations of most MRI centers necessitates a compact liquefier solution
- Advanced automated features and high energy efficiency of NexGen liquefiers are an ideal complement for modern MRI systems
- Designed for general users – Requires minimal training and is easily operated by MRI technicians
- Quantum Design recovery systems already have been successfully installed in many hospital environments
- Quantum Design's global service network guarantees prompt technical support and onsite response when needed



NexGen Recovery Systems can be customized for MRI Centers large and small

Direct Recovery (DR)

- A – Liquefier
- B – Compressor
- C – Back Pressure Controller
- D – Power Distribution Unit
- X – Customer MRI

Center with single or multiple MRIs
 Provides up to 15 liters/day in Direct Recovery mode
 Recover 100% normal boil off; Transfer boil off augmented with external Helium gas cylinders through *dual gas inputs*